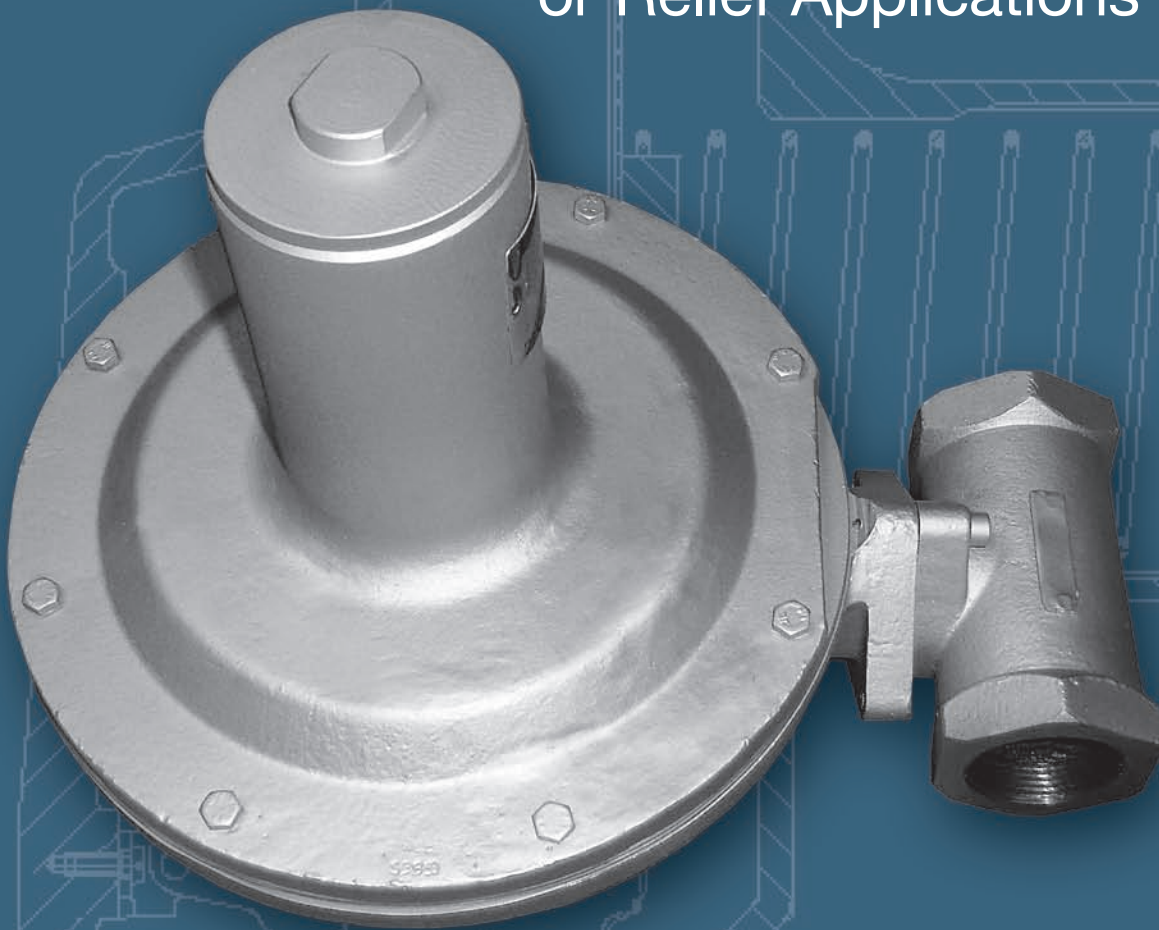


# 174 Series

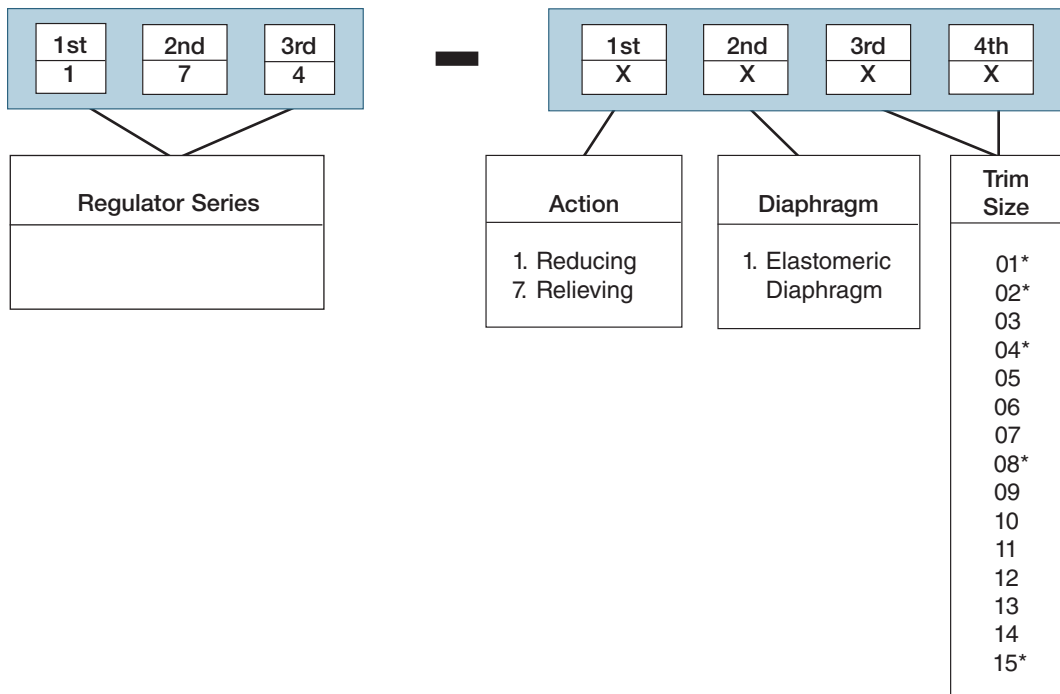
Spring Loaded, Direct-Operated  
Regulator for Pressure Reducing  
or Relief Applications



## Table of Contents

Numbering System .....	2
Features/Specifications .....	3
Materials .....	4
Specifications .....	5
Dimensions .....	10

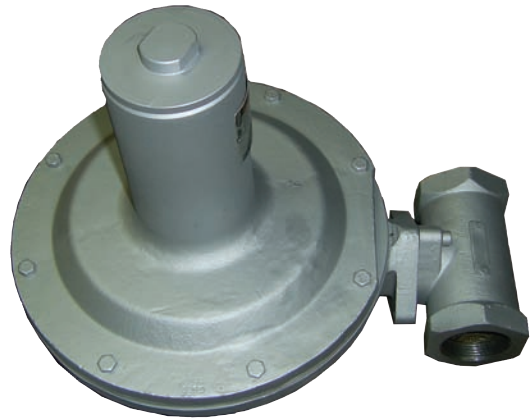
## Numbering System



\* Indicates standard trim size

## 174 Series: (97/23/EC - PED, 94/9/EC - ATEX)

The 174 series is a spring loaded, direct-operated regulator for pressure reducing or relief applications in a wide variety of industrial applications. The large diaphragm area provides accurate control at low pressure settings and the lever design provides consistent shut-off tightness. They are available in 1/2 through 1 1/2 inch body sizes. The pressure reducing design can handle inlet pressures up to 145 psig (10 barg).



### Features

- In-line maintenance
- Easy maintenance
- Precise control

### Specifications

#### Body

##### Body Sizes and End Connections

- 1/2" through 1 1/2" (DN15 through DN40)  
NPT or GAS

##### Maximum Inlet Pressure

- 174-1 Reducing: 145 psig (10 barg) - see table 2
- 174-7 Relief: 4.4 psig (0.3 barg)

##### Maximum Outlet Pressure

- 174-1 Reducing: 8.8 psig (0.61 barg)

##### Set Pressure Range

- 174-1 Reducing: 1.4 inches w.c. to 8.8 psig
- 174-7 Relief: 1.4 inches w.c. to 4.4 psig

##### Temperature Range

- -0.4° to 194°F (-18° to 90°C)

##### Pressure Sensing

- internal

##### Flow Coefficients

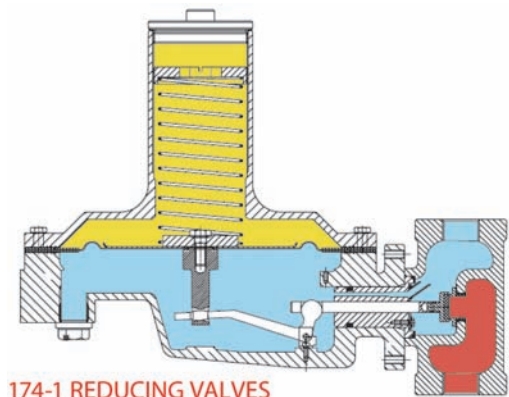
- see tables 6, 7

##### Capacities

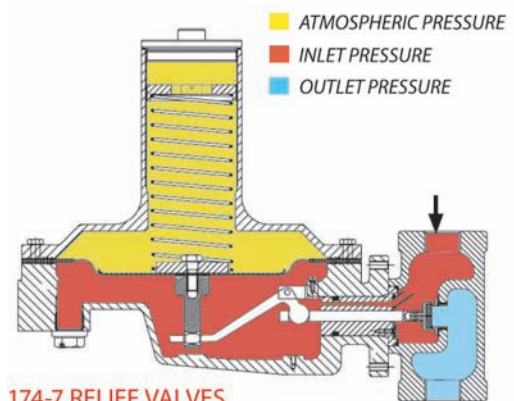
- 174-1 Reducing: see table 8
- 174-7 Relief: see table 9

##### Weights

- 30 lbs (13.5 kg)



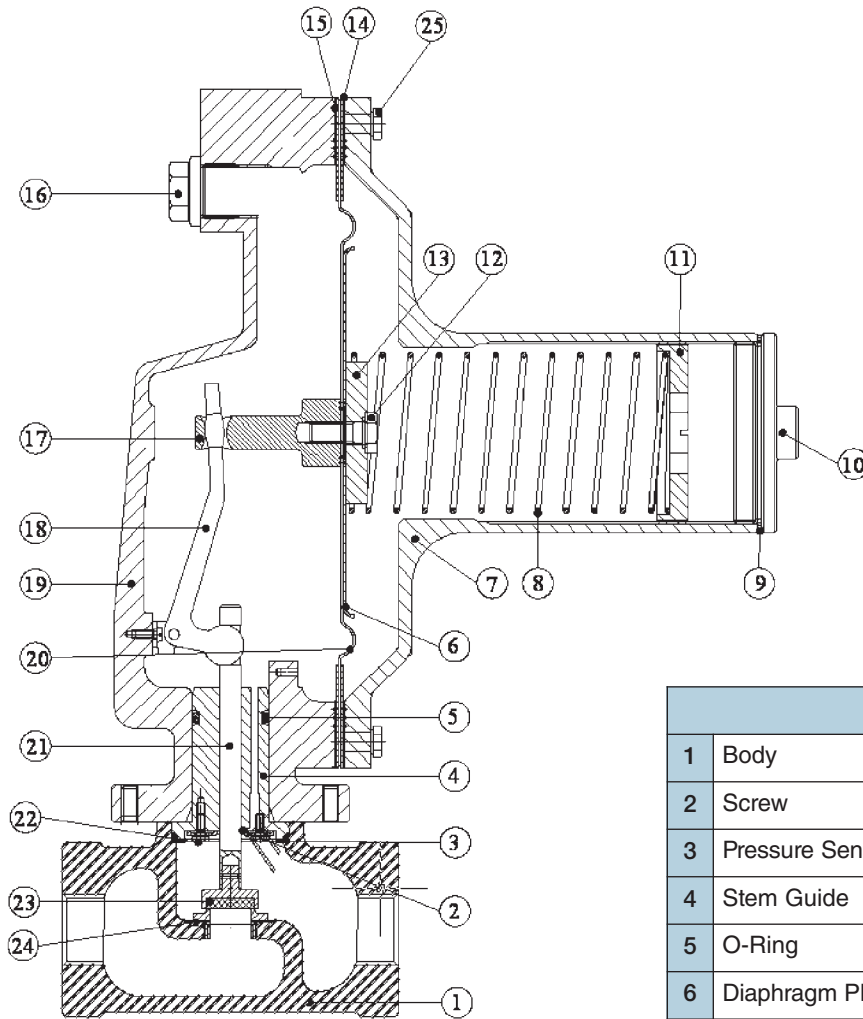
174-1 REDUCING VALVES



174-7 RELIEF VALVES

■ ATMOSPHERIC PRESSURE  
■ INLET PRESSURE  
■ OUTLET PRESSURE

# Materials



Materials			
1	Body	14	Gasket
2	Screw	15	Diaphragm Ring
3	Pressure Sensing	16	Screw
4	Stem Guide	17	Stem Diaphragm Connection
5	O-Ring	18	Lever
6	Diaphragm Plate	19	Diaphragm Case
7	Spring Case	20	Diaphragm
8	Spring	21	Stem
9	Gasket	22	Gasket
10	Spring Case Cap	23	Plug
11	Adjusting Screw Ring	24	Seat
12	Screw	25	Screw
13	Spring Button (lower)		

# Specifications

Table 1 - Standard Material Combinations	
Body	
	Carbon Steel*
	-18°C < T < 90°C (-0.4°F < T < 194°F)
Body	Carbon Steel
Studs	8.8
Nuts	8
Trim	
Seat	316 SS
Disc	NBR
Stem	316 SS
Guide Bushing	PTFE
Actuator	
Spring Case	Carbon Steel
Diaphragm Case	Carbon Steel
Spring	CrV Steel
Diaphragm	Nitrile Rubber (NBR)

\* Stainless steel construction available on request

Table 2 - Maximum Operating Inlet Pressures					
Orifice Size mm	Maximum Operating Inlet Pressure, PSIG (barg)				
	With 1.4 to 2.2 inches w.c. (3.4 to 5.5 mbarg) Outlet Pressure Setting	With 2.2 to 3.7 inches w.c. (5.5 to 9.3 mbarg) Outlet Pressure Setting	With 3.7 to 8.8 inches w.c. (9.3 to 22.0 mbarg) Outlet Pressure Setting	With 8.8 to 13.6 inches w.c. (22.0 to 34.0 mbarg) Outlet Pressure Setting	With 13.6 to 25 inches w.c. (34.0 to 62.0 mbarg) Outlet Pressure Setting
1	145.0 (10.00)	145.0 (10.00)	145.0 (10.00)	145.0 (10.00)	145.0 (10.00)
2	81.2 (5.60)	94.3 (6.50)	145.0 (10.00)	145.0 (10.00)	145.0 (10.00)
4	18.9 (1.30)	23.2 (1.60)	37.7 (2.60)	46.4 (3.20)	53.7 (3.70)
8	4.4 (0.30)	5.8 (0.40)	8.7 (0.60)	11.6 (0.80)	13.1 (0.90)
14	1.6 (0.11)	1.9 (0.13)	3.1 (0.21)	3.6 (0.25)	4.4 (0.30)

Table 2 - Maximum Operating Inlet Pressures (cont.)				
Orifice Size mm	Maximum Operating Inlet Pressure, PSIG (barg)			
	With 25 to 39 inches w.c. (62.0 to 98.0 mbarg) Outlet Pressure Setting	With 1.4 to 2.8 psig (0.098 to 0.0190 barg) Outlet Pressure Setting	With 2.8 to 4.4 psig (0.190 to 0.300 barg) Outlet Pressure Setting	With 4.4 to 8.8 psig (0.300 to 0.610 barg) Outlet Pressure Setting
1	145.0 (10.00)	145.0 (10.00)	145.0 (10.00)	145.0 (10.00)
2	145.0 (10.00)	145.0 (10.00)	145.0 (10.00)	145.0 (10.00)
4	91.4 (6.30)	145.0 (10.00)	145.0 (10.00)	145.0 (10.00)
8	21.8 (1.50)	36.3 (2.50)	39.2 (2.70)	72.5 (5.00)
14	7.3 (0.50)	11.6 (0.80)	11.6 (0.80)	23.2 (1.60)

Table 3 - Set Pressure Ranges (Control Pressure)		
Type Number	Spring	Set Pressure Range With Spring Case Above Diaphragm
174	UBB02	1.4 to 2.2 inches w.c. (3.4 to 5.5 mbarg)
	UBB03	2.2 to 3.7 inches w.c. (5.5 to 9.3 mbarg)
	UBB05	3.7 to 8.8 inches w.c. (9.3 to 22 mbarg)
	UBB06	8.8 to 13.6 inches w.c. (22 to 34 mbarg)
	UBB07	13.6 to 25 inches w.c. (34 to 62 mbarg)
	UBB08	25 to 39 inches w.c. (62 to 98 mbarg)
	UBB09	1.4 to 2.8 psig (0.098 to 0.190 barg)
	UBB10	2.8 to 4.4 psig (0.190 to 0.300 barg)
	UBB12	4.4 to 8.8 psig (0.300 to 0.610 barg)

Table 4 - Temperature Ranges for Disc Elastomer	
Nitrile Rubber (NBR)*	-0.4 to 194°F (-18 to 90°C)

Table 5 - Temperature Ranges for Diaphragms	
Nitrile Rubber (NBR)*	-0.4 to 194°F (-18 to 90°C)

## Specifications

**Table 6 - Flow Coefficient  $C_v$  - Model 174-7 Relief Version**

Nozzle	1/2" (DN 15)	3/4" (DN 20)	1" (DN 25)	1 1/2" (DN 40)
1	0.04	0.04	0.04	0.04
2	0.17	0.17	0.17	0.17
3*	0.38	0.38	0.38	0.38
4	0.75	0.75	0.75	0.75
5*	0.95	0.95	0.95	0.95
6*	1.39	1.39	1.39	1.39
7*	1.88	1.88	1.88	1.88
8	2.50	2.50	2.50	2.50
9*	2.96	2.96	2.96	2.96
10*	3.40	3.40	3.40	3.40
11*	3.75	3.75	3.75	3.75
12*	3.95	3.95	3.95	3.95
13*		4.15	4.15	4.15
14		4.40	4.40	4.40
15*		4.86	4.90	4.90

**Table 7 - Flow Coefficient  $C_v$  - Model 174-1 Reducing Version**

Nozzle	1/2" (DN 15)	3/4" (DN 20)	1" (DN 25)	1 1/2" (DN 40)
1	0.04	0.04	0.04	0.04
2	0.10	0.10	0.10	0.10
3*	0.34	0.34	0.34	0.34
4	0.75	0.75	0.75	0.75
5*	0.94	0.94	0.94	0.94
6*	1.38	1.38	1.38	1.38
7*	1.90	1.90	1.90	1.90
8	2.45	2.45	2.45	2.45
9*	2.80	2.80	2.80	2.80
10*	3.14	3.14	3.14	3.14
11*	3.55	3.55	3.55	3.55
12*	3.82	3.82	3.82	3.82
13*		4.00	4.00	4.00
14		4.50	4.50	4.50
15*		4.95	4.90	4.90

\* Special nozzle sizes available on request

# Specifications

**Table 8 - 174-1 Pressure Reducing Capacities**

Outlet Pressure Range Spring Code	Offset From Setpoint	Outlet Pressure Setting	Maximum Inlet Pressure PSIG (barg)	Capacities in SCFH (Nm <sup>3</sup> /h)					
				Orifice Size (mm)					
				1	2	4	8	14	
1.4 to 2.2 inches w.c. (3.4 to 5.5 mbar), 43 12 UBB02	0.4 inches w.c. (1 mbar)	1.4 inches w.c. (3.4 mbar)	0.11 (1.6)	9.89 (0.265)	26.85 (0.719)	213.15 (5.711)	696.30 (18.655)	1278.92 (34.264)	
			0.30 (4.35)	18.96 (0.508)	47.92 (1.284)	359.43 (9.630)	1174.15 (31.457)		
			1.30 (18.85)	43.77 (1.173)	109.42 (2.931)	820.63 (21.986)			
			5.60 (81.22)	140.20 (3.756)	350.50 (9.390)				
		2.2 inches w.c. (5.5 mbar)	0.11 (1.6)	9.78 (0.262)	26.55 (0.711)	211.24 (5.659)	690.051 (18.487)	1267.44 (33.957)	
			0.30 (4.35)	18.89 (0.506)	47.80 (1.281)	358.46 (9.604)	1170.98 (31.372)		
			1.30 (18.85)	43.76 (1.172)	109.42 (2.931)	820.44 (21.981)			
			5.60 (81.22)	140.18 (3.755)	350.44 (9.389)				
	2.2 to 3.7 inches w.c. (5.5 to 9.3 mbar), 43 12 UBB03	0.8 inches w.c. (2 mbar)	2.2 inches w.c. (5.5 mbar)	0.13 (1.88)	10.91 (0.292)	29.56 (0.792)	230.78 (6.183)	753.89 (20.198)	1384.69 (37.098)
				0.40 (5.80)	22.29 (0.597)	55.71 (1.493)	417.86 (11.195)	1365.00 (36.570)	
				1.60 (23.2)	49.94 (1.338)	124.85 (3.345)	936.53 (25.091)		
				6.50 (94.27)	161.09 (4.316)	402.72 (10.790)			
3.7 inches w.c. (9.3 mbar)			0.13 (1.88)	10.72 (0.287)	29.06 (0.779)	227.61 (6.098)	743.53 (19.920)	1365.66 (36.588)	
			0.40 (5.80)	22.21 (0.595)	55.53 (1.488)	416.45 (11.157)	1360.41 (36.447)		
			1.60 (23.2)	49.94 (1.338)	124.85 (3.345)	936.33 (25.086)			
			6.50 (94.27)	161.04 (4.315)	402.60 (10.786)				
3.7 to 8.8 inches w.c. (9.3 to 22 mbar) 43 12 UBB05		2 inches w.c. (5 mbar)	3.7 inches w.c. (9.3 mbar)	0.21 (3.05)	14.77 (0.396)	39.30 (1.053)	294.73 (7.896)	962.77 (25.794)	1768.36 (47.377)
				0.60 (8.70)	27.75 (0.744)	69.38 (1.859)	520.35 (13.941)	1699.81 (45.540)	
				2.60 (37.71)	70.35 (1.885)	175.87 (4.712)	1319.02 (35.338)		
				10.00 (145)	242.53 (6.498)	606.33 (16.244)			
	8.8 inches w.c. (22 mbar)		0.21 (3.05)	14.26 (0.382)	38.24 (1.024)	286.78 (7.683)	936.80 (25.098)	1720.66 (46.099)	
			0.60 (8.70)	27.58 (0.739)	68.94 (1.847)	517.06 (13.853)	1689.05 (45.252)		
			2.60 (37.71)	70.18 (1.880)	175.44 (4.700)	1315.78 (35.252)			
			10.00 (145)	242.38 (6.494)	605.94 (16.234)				
	8.8 to 13.6 inches w.c. (22 to 34 mbar) 43 12 UBB06	13.15 inches w.c. (8 mbar)	8.8 inches w.c. (22 mbar)	0.25 (3.63)	16.13 (0.432)	42.20 (1.131)	316.54 (8.480)	1034.02 (27.703)	1899.21 (50.883)
				0.80 (11.60)	32.55 (0.872)	81.38 (2.180)	610.33 (16.352)	1993.73 (53.415)	
				3.20 (46.41)	84.17 (2.255)	210.43 (5.638)	1578.26 (42.284)		
				10.00 (145)	242.38 (6.494)	605.94 (16.234)			
13.6 inches w.c. (34 mbar)			0.25 (3.63)	15.68 (0.420)	41.28 (1.106)	309.62 (8.295)	1011.41 (27.097)	1857.69 (49.770)	
			0.80 (11.60)	32.43 (0.869)	81.07 (2.172)	608.00 (16.289)	1986.11 (53.211)		
			3.20 (46.41)	84.01 (2.251)	210.04 (5.627)	1575.28 (42.204)			
			10.00 (145)	242.23 (6.490)	605.58 (16.224)				
13.6 to 25 inches w.c. (34 to 62 mbar) 43 12 UBB07		6.8 inches w.c. (17 mbar)	13.6 inches w.c. (34 mbar)	0.30 (4.35)	17.93 (0.480)	45.95 (1.231)	344.61 (9.233)	1125.74 (30.160)	2067.68 (55.396)
				0.90 (13.05)	34.78 (0.932)	89.96 (2.330)	652.21 (17.474)	2130.54 (57.080)	
				3.70 (53.66)	95.66 (2.563)	239.14 (6.407)	1793.56 (48.052)		
				10.00 (145)	242.23 (6.490)	605.58 (16.224)			
	25 inches w.c. (62 mbar)		0.30 (4.35)	16.92 (0.453)	43.95 (1.177)	329.63 (8.831)	1076.78 (28.849)	1977.77 (52.987)	
			0.90 (13.05)	34.52 (0.925)	86.30 (2.312)	647.26 (17.341)	2114.38 (56.647)		
			3.70 (53.66)	95.29 (2.553)	238.23 (6.382)	1786.69 (47.868)			
			10.00 (145)	241.89 (6.481)	604.73 (16.202)				

# Specifications

**Table 8 - 174-1 Pressure Reducing Capacities (cont.)**

Outlet Pressure Range Spring Code	Offset From Setpoint	Outlet Pressure Setting	Maximum Inlet Pressure PSIG (barg)	Capacities in SCFH (Nm <sup>3</sup> /h)				
				Orifice Size (mm)				
				1	2	4	8	14
25 to 39 inches w.c. (62 to 98 mbar), 43 12 UBB08	10.24 inches w.c. (26 mbar)	25 inches w.c. (62 mbar)	0.50 (7.25)	24.16 (0.647)	60.41 (1.618)	453.08 (12.139)	1480.04 (39.652)	2718.45 (72.831)
			1.50 (21.76)	47.69 (1.278)	119.23 (3.194)	894.23 (23.958)	2921.16 (78.262)	
			6.30 (91.37)	155.74 (4.172)	389.34 (10.431)	2920.07 (78.233)		
		39 inches w.c. (98 mbar)	0.50 (7.25)	23.45 (0.628)	58.63 (1.571)	439.75 (11.782)	1436.51 (38.486)	2638.49 (70.689)
			1.50 (21.76)	47.53 (1.273)	118.83 (3.184)	891.21 (23.877)	2911.29 (77.998)	
			6.30 (91.37)	155.29 (4.160)	388.22 (10.401)	2911.63 (78.006)		
			10.00 (145)	241.45 (6.469)	603.63 (16.172)			
			0.80 (11.60)	31.69 (0.849)	79.23 (2.123)	594.26 (15.921)	1941.23 (52.008)	3565.52 (95.525)
			2.50 (36.26)	67.68 (1.813)	169.19 (4.533)	1268.91 (33.996)	4145.11 (111.053)	
1.4 to 2.8 psig (0.098 to 0.19 barg) 43 12 UBB09	0.73 psig (0.050 barg)	1.4 psig (0.098 barg)	10.00 (145)	241.45 (6.469)	603.63 (16.172)	4527.24 (121.291)		
			0.80 (11.60)	30.42 (0.815)	76.04 (2.037)	570.32 (15.280)	1863.02 (49.913)	3421.88 (91.677)
			2.50 (36.26)	67.59 (1.811)	168.96 (4.527)	1267.23 (33.951)	4139.62 (110.906)	
		2.8 psig (0.19 barg)	10.00 (145)	240.33 (6.439)	600.82 (16.097)	4506.16 (120.726)		
			0.80 (11.60)	30.42 (0.815)	76.04 (2.037)	570.32 (15.280)	1863.02 (49.913)	3421.88 (91.677)
			2.70 (39.16)	71.53 (1.916)	178.82 (4.791)	1341.15 (35.931)	4381.08 (117.375)	
2.8 to 4.4 psig (0.19 to 0.30 barg) 43 12 UBB10	1.12 psig (0.077 barg)	2.8 psig (0.19 barg)	10.00 (145)	240.33 (6.439)	600.82 (16.097)	4506.16 (120.726)		
			0.80 (11.60)	28.48 (0.763)	71.21 (1.908)	534.05 (14.308)	1744.57 (46.740)	3204.32 (85.848)
			2.70 (39.16)	71.39 (1.913)	178.47 (4.781)	1338.53 (35.861)	4372.53 (117.146)	
		4.4 psig (0.30 barg)	10.00 (145)	238.98 (6.403)	597.44 (16.006)	4480.81 (120.047)		
			1.60 (23.2)	48.50 (1.300)	121.24 (3.248)	909.32 (24.362)	2970.43 (79.582)	5455.90 (146.171)
			5.00 (72.52)	122.46 (3.281)	306.15 (8.202)	2296.1 (61.516)	7500.59 (200.951)	
4.4 to 8.8 psig (0.30 to 0.61 barg) 43 12 UBB12	2.7 psig (0.180 barg)	4.4 psig (0.30 barg)	10.00 (145)	238.98 (6.403)	597.44 (16.006)	4480.81 (120.047)		
			1.60 (23.2)	45.44 (1.217)	113.60 (3.044)	852.02 (22.827)	2783.26 (74.567)	5112.10 (136.96)
			5.00 (72.52)	118.35 (3.171)	295.88 (7.927)	2219.09 (59.452)	7249.02 (194.211)	
		8.8 psig (0.61 barg)	10.00 (145)	235.13 (6.300)	587.82 (15.748)	4408.62 (118.113)		
			1.60 (23.2)	45.44 (1.217)	113.60 (3.044)	852.02 (22.827)	2783.26 (74.567)	5112.10 (136.96)
			5.00 (72.52)	118.35 (3.171)	295.88 (7.927)	2219.09 (59.452)	7249.02 (194.211)	

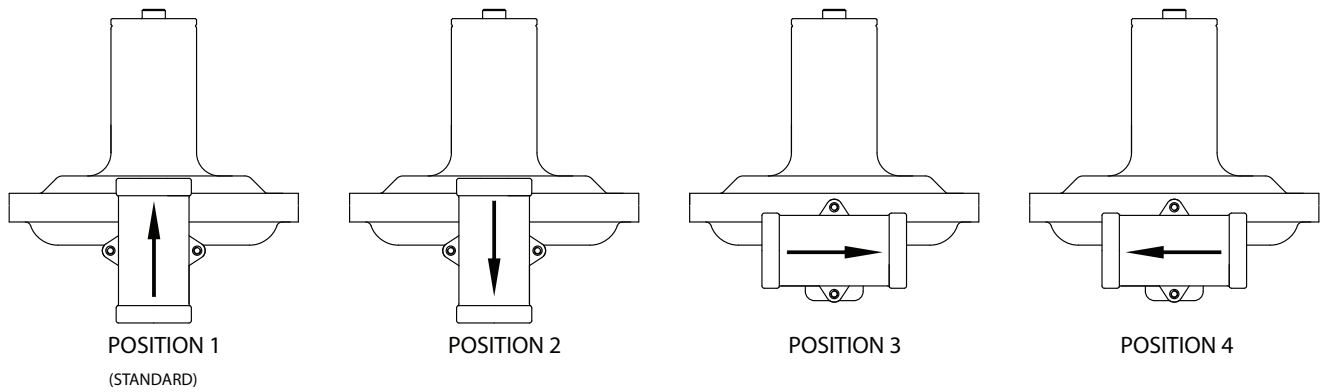
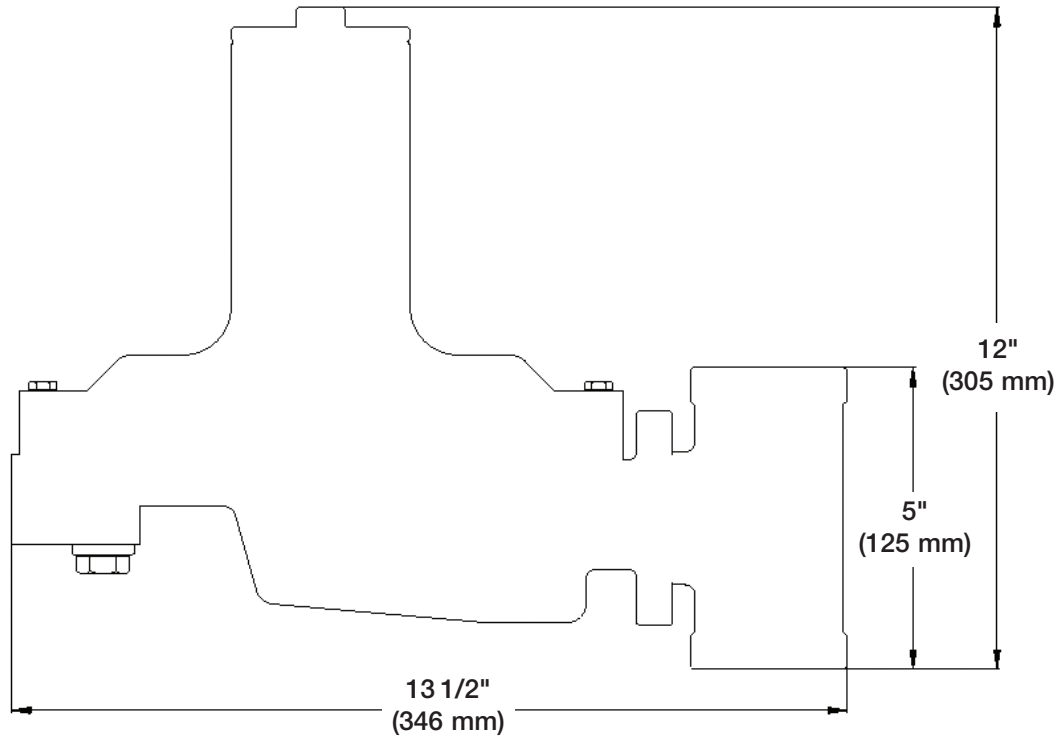


# Specifications

Table 9 - 174-7 Pressure Relief Capacities

Inlet Pressure Range Spring Code	Offset From Setpoint	Inlet Pressure Setting	Outlet Pressure	Capacities in SCFH (Nm <sup>3</sup> /h)				
				Orifice Size (mm)				
				1	2	4	8	14
1.4 to 2.2 inches w.c. (3.4 to 5.5 mbar), 43 12 UBB02	0.4 inches w.c. (1 mbar)	1.4 inches w.c. (3.4 mbar)	0.00	1.14 (0.031)	6.01 (0.161)	31.48 (0.843)	116.59 (3.124)	213.41 (5.718)
		2.2 inches w.c. (5.5 mbar)	0.00	1.56 (0.042)	8.06 (0.216)	41.66 (1.116)	153.02 (4.100)	279.17 (7.479)
2.2 to 3.7 inches w.c. (5.5 to 9.3 mbar), 43 12 UBB03	0.8 inches w.c. (2 mbar)	2.2 inches w.c. (5.5 mbar)	0.00	1.56 (0.042)	8.06 (0.216)	41.66 (1.116)	153.02 (4.100)	279.17 (7.479)
		3.7 inches w.c. (9.3 mbar)	0.00	2.18 (0.058)	11.07 (0.297)	56.48 (1.513)	205.77 (5.513)	367.45 (9.844)
3.7 to 8.8 inches w.c. (9.3 to 22 mbar), 43 12 UBB05	2 inches w.c. (5 mbar)	3.7 inches w.c. (9.3 mbar)	0.00	2.18 (0.058)	11.07 (0.297)	56.48 (1.513)	205.77 (5.513)	367.45 (9.844)
		8.8 inches w.c. (22 mbar)	0.00	3.73 (0.100)	18.53 (0.496)	92.83 (2.487)	321.22 (8.606)	565.35 (15.147)
8.8 to 13.6 inches w.c. (22 to 34 mbar), 43 12 UBB06	3.15 inches w.c. (8 mbar)	8.8 inches w.c. (22 mbar)	0.00	3.73 (0.100)	18.53 (0.496)	92.83 (2.487)	321.22 (8.606)	565.35 (15.147)
		13.6 inches w.c. (34 mbar)	0.00	4.88 (0.131)	24.01 (0.643)	119.33 (3.197)	399.48 (10.703)	703.09 (18.837)
13.6 to 25 inches w.c. (34 to 62 mbar), 43 12 UBB07	6.8 inches w.c. (17 mbar)	13.6 inches w.c. (34 mbar)	0.00	4.88 (0.131)	24.01 (0.643)	119.33 (3.197)	399.48 (10.703)	703.09 (18.837)
		25 inches w.c. (62 mbar)	0.00	7.06 (0.189)	34.34 (0.920)	161.99 (4.340)	539.97 (14.467)	950.35 (25.461)
25 to 39 inches w.c. (62 to 98 mbar), 43 12 UBB08	10.24 inches w.c. (26 mbar)	25 inches w.c. (62 mbar)	0.00	7.06 (0.189)	34.34 (0.920)	161.99 (4.340)	539.97 (14.467)	950.35 (25.461)
		39 inches w.c. (98 mbar)	0.00	9.37 (0.251)	45.21 (1.211)	203.96 (5.464)	679.86 (18.214)	1196.55 (32.057)
1.4 to 2.8 psig (0.098 to 0.19 barg), 43 12 UBB09	0.73 psig (50 mbar)	1.4 psig (0.098 barg)	0.00	9.37 (0.251)	45.21 (1.211)	203.96 (5.464)	679.86 (18.214)	1196.55 (32.057)
		2.8 psig (0.190 barg)	0.00	14.19 (0.380)	64.67 (1.733)	285.31 (7.644)	951.03 (25.479)	1673.81 (44.844)
2.8 to 4.4 psig (0.19 to 0.30 barg), 43 12 UBB10	1.12 psig (77 mbar)	2.8 psig (0.19 barg)	0.00	14.19 (0.380)	64.67 (1.733)	285.31 (7.644)	951.03 (25.479)	1673.81 (44.844)
		4.4 psig (0.30 barg)	0.00	19.07 (0.511)	81.82 (2.192)	360.99 (9.671)	32.238 (1203.30)	2117.81 (56.739)

## Dimensions



Body - Spring Case Orientation

## Notes

# DIRECT SALES OFFICE LOCATIONS

## BELGIUM

Phone: +32-2-344-0970  
Fax: +32-2-344-1123

## BRAZIL

Phone: 55-11-2146-3600  
Fax: 55-11-2146-3610

## CANADA

Ontario  
Phone: 905-335-3529  
Fax: 905-336-7628

## CHINA

Phone: +86-10-8486-4515  
Fax: +86-10-8486-5305

## FRANCE

Courbevoie  
Phone: +33-1-4904-9000  
Fax: +33-1-4904-9010

## GERMANY

Viersen  
Phone: +49-2162-8170-0  
Fax: +49-2162-8170-280  
Frankfurt  
Phone: +49-69-439350  
Fax: +49-69-4970802

## INDIA

Mumbai  
Phone: +91-22- 8354790  
Fax: +91-22-8354791  
New Delhi  
Phone: +91-11-2-6164175  
Fax: +91-11-5-1659635

## ITALY

Phone: +39-081-7892-111  
Fax: +39-081-7892-208

## JAPAN

Chiba  
Phone: +81-43-297-9222  
Fax: +81-43-299-1115

## KOREA

Phone: +82-2-2274-0748  
Fax: +82-2-2274-0794

## KUWAIT

Phone: +965-9061157  
Fax: +965-3987879

## MALAYSIA

Phone: +60-3-2161-0322  
Fax: +60-3-2163-6312

## MEXICO

Phone: 52-5-310-9863  
Fax: 52-5-310-5584

## THE NETHERLANDS

Phone: +31-10-438-4122  
Fax: +31-10-438-4443

## RUSSIA

Veliky Novgorod  
Phone: +7-8162-15-7898  
Fax: +7-8162-15-7921  
Moscow  
Phone: +7 495-585-1276  
Fax: +7 495-585-1279

## SAUDI ARABIA

Phone: +966-3-341-0278  
Fax: +966-3-341-7624

## SINGAPORE

Phone: +65-6-6861-6100  
Fax: +65-6-6861-7172

## SOUTH AFRICA

Phone: +27-11-452-1550  
Fax: +27-11-452-6542

## SOUTH & CENTRAL AMERICA AND THE CARIBBEAN

Phone: 832-590-2303  
Fax: 832-590-2529

## SPAIN

Phone: +34-93-652-6430  
Fax: +34-93-652-6444

## UNITED ARAB EMIRATES

Phone: +971-4-8838-752  
Fax: +971-4-8838-038

## UNITED KINGDOM

Skelmersdale,  
Phone: +44-1695-52600  
Fax: +44-1695-52601  
Uxbridge  
Phone: +44-1895-454-900  
Fax: +44-1895-454-919

## UNITED STATES

Massachusetts  
Phone: 508-586-4600  
Fax: 508-427-8971

Corpus Christi, Texas  
Phone: 361-881-8182  
Fax: 361-881-8246

Dresser Direct  
Deer Park, Texas  
Phone: 281-884-1000  
Fax: 281-884-1010

(Contractor Sales)  
Houston, Texas  
Phone: 832-590-2303  
Fax: 832-590-2529

California  
Phone: 562-941-7610  
Fax: 562-941-7810

## Aftermarket Value Services

Dresser - Masoneilan, a leading manufacturer of automated process control solutions, offers world-class global aftermarket services. Consistent and high quality services executed through a network of fully authorized and certified third party service centers, as well as company owned facilities include: Valve Repair, Technical Training, Field Support, Spare Parts Supply, Complete Equipment Replacement and Comprehensive Diagnostics.

## About Dresser, Inc.

Dresser, Inc. is a leader in providing highly engineered infrastructure products for the global energy industry. The company has leading positions in a broad portfolio of products including valves, actuators, meters, switches, regulators, piping products, natural gas-fueled engines, retail fuel dispensers and associated retail point of sale systems and air and gas handling equipment.

Leading brand names within the Dresser portfolio include Dresser Wayne® retail fueling systems, Waukesha® natural gas-fired engines, Masoneilan® control valves, Mooney® regulators, Consolidated® pressure relief valves, and Roots® blowers and rotary gas meters. It has manufacturing and customer service facilities located strategically worldwide and a sales presence in more than 100 countries. The company's website can be accessed at [www.dresser.com](http://www.dresser.com).

## Dresser Masoneilan

85 Bodwell Street  
Avon, MA 02322-1190  
Tele: 508-586-4600 / Fax: 508-941-5497  
Email: [sales@masoneilan.com](mailto:sales@masoneilan.com)

© 2008 Dresser, Inc. All rights reserved.

## Dresser Masoneilan

With its breadth of products, unequaled global presence and advanced process control expertise, Dresser Masoneilan is uniquely positioned to be the leading provider of flexible, best fit control valve solutions.

Supported by an integrated network of sales offices, Dresser Masoneilan provides the widest range of valve solutions and services for virtually every process control application.



[www.dresser.com](http://www.dresser.com)